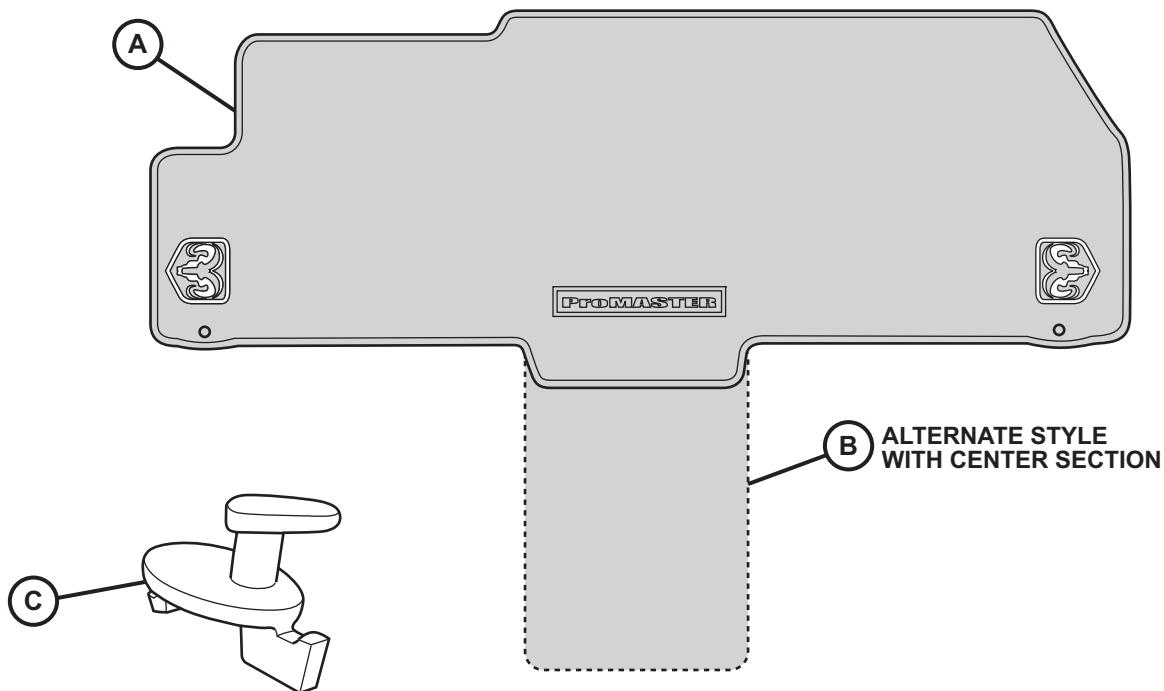


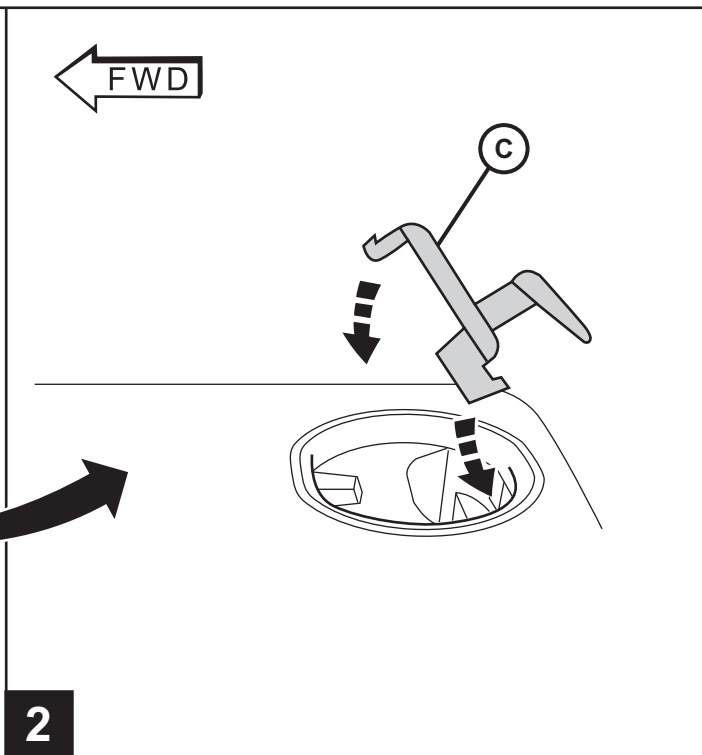
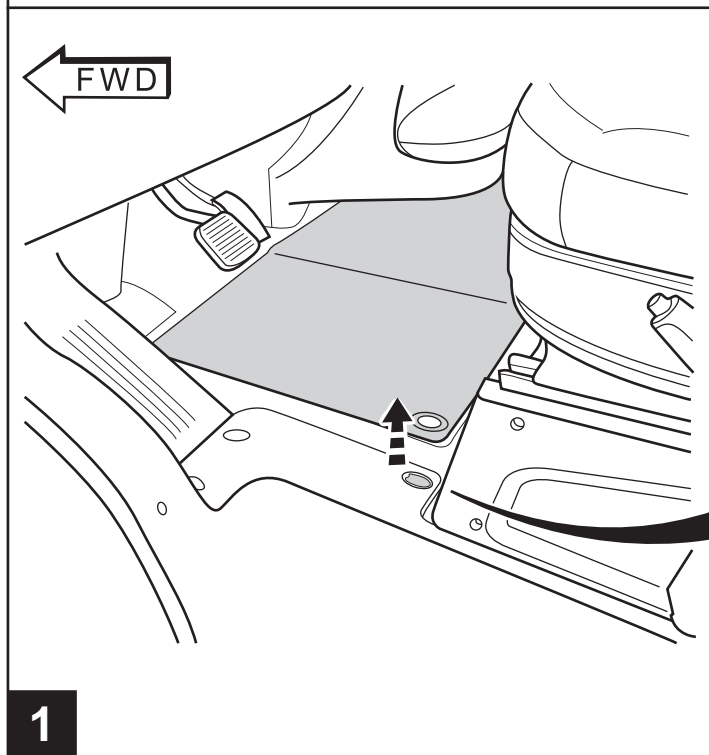


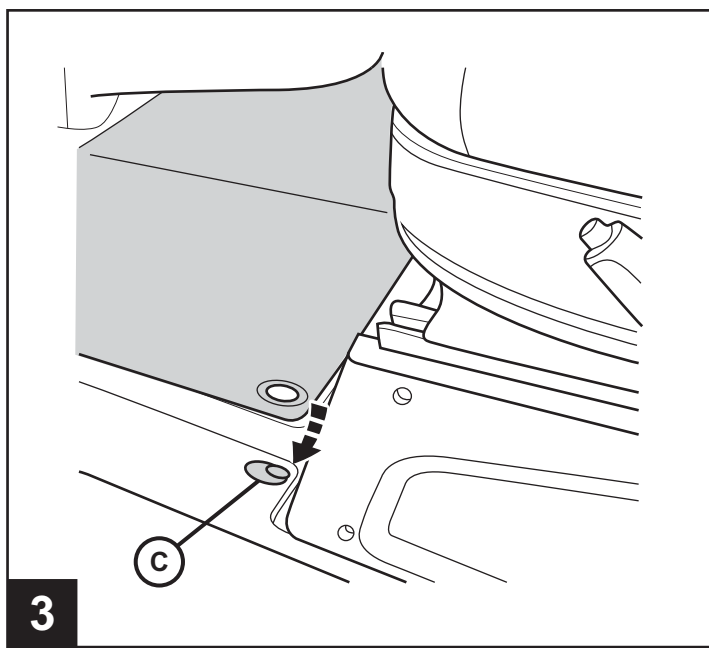
PROMASTER CARPETED MAT

www.mopar.com



CALL OUT	DESCRIPTION	QUANTITY
A / B	Promaster Carpeted Mat	1
C	Hook Fastener	2





REPEAT STEPS 1 THROUGH 3
FOR PASSENGER SIDE

